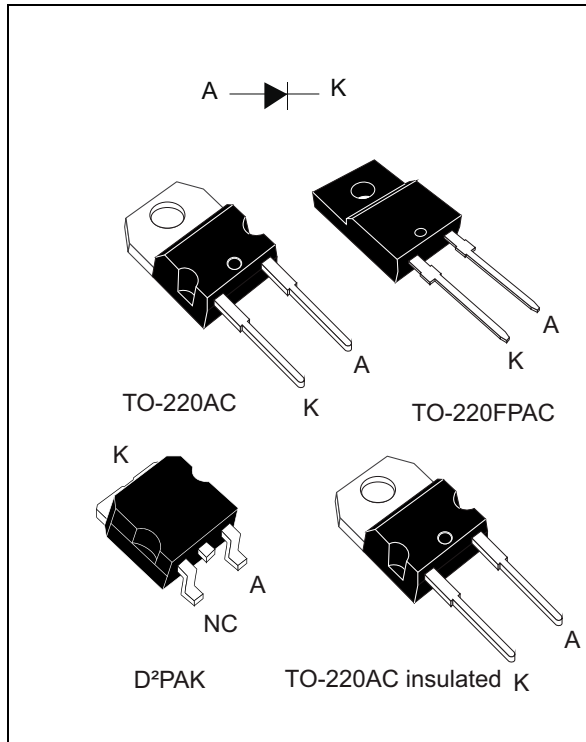


## Turbo 2 ultrafast high voltage rectifier

Datasheet - production data



### Description

The STTH8R06, which uses ST Turbo 2 600 V technology, is specially suited as boost diode in continuous mode power factor corrections and hard switching conditions.

**Table 1. Device summary**

Symbol	Value
$I_{F(AV)}$	8 A
$V_{RRM}$	600 V
$I_{RM}$ (typ)	5.5 A
$T_j$ (max)	175 °C
$V_F$ (typ)	1.4 V
$t_{rr}$ (max)	25 ns

### Features

- Ultrafast switching
- Low reverse recovery current
- Low thermal resistance
- Reduces switching losses
- Package insulation voltage:
  - TO-220AC Ins: 2500  $V_{RMS}$  sine
  - TO-220FPAC: 2000  $V_{RMS}$  sine

# 1 Characteristics

**Table 2. Absolute ratings (limiting values at 25 °C unless otherwise specified)**

Symbol	Parameter		Value	Unit	
$V_{RRM}$	Repetitive peak reverse voltage		600	V	
$I_{F(RMS)}$	Forward current rms	TO-220AC / TO-220FPAC / D <sup>2</sup> PAK	30	A	
		TO-220AC ins.	24		
$I_{F(AV)}$	Average forward current $\delta = 0.5$ , square wave	TO-220AC / D <sup>2</sup> PAK	8	A	
		TO-220FPAC			
		TO-220AC ins.			
$I_{FSM}$	Surge non repetitive forward current		$t_p = 10$ ms sinusoidal	80	A
$T_{stg}$	Storage temperature range		-65 to + 175	°C	
$T_j$	Maximum operating junction temperature		175	°C	

**Table 3. Thermal resistance**

Symbol	Parameter		Value (max)	Unit
$R_{th(j-c)}$	Junction to case	TO-220AC / D <sup>2</sup> PAK	2.2	°C/W
		TO-220FPAC	4.6	
		TO-220AC ins.	3.8	

**Table 4. Static electrical characteristics**

Symbol	Parameter	Test conditions		Min.	Typ.	Max.	Unit
$I_R$	Reverse leakage current	$T_j = 25$ °C	$V_R = V_{RRM}$			30	$\mu$ A
		$T_j = 125$ °C			35	400	
$V_F$	Forward voltage drop	$T_j = 25$ °C	$I_F = 8$ A			2.9	V
		$T_j = 125$ °C			1.4	1.8	

To evaluate the conduction losses use the following equation:  $P = 1.16 \times I_{F(AV)} + 0.08 I_{F(RMS)}^2$

Table 5. Dynamic characteristics

Symbol	Parameter	Test conditions		Min.	Typ.	Max.	Unit
$t_{rr}$	Reverse recovery time	$T_j = 25\text{ }^\circ\text{C}$	$I_F = 0.5\text{ A}$ , $I_{rr} = 0.25\text{ A}$ , $I_R = 1\text{ A}$			25	ns
			$I_F = 1\text{ A}$ , $di_F/dt = -50\text{ A}/\mu\text{s}$ , $V_R = 30\text{ V}$			45	
$I_{RM}$	Reverse recovery current	$T_j = 125\text{ }^\circ\text{C}$	$I_F = 8\text{ A}$ , $V_R = 400\text{ V}$ , $di_F/dt = -200\text{ A}/\mu\text{s}$		5.5	7.2	A
S factor	Softness factor				0.3		
$Q_{rr}$	Reverse recovery charges				150		nC
$t_{fr}$	Forward recovery time	$T_j = 25\text{ }^\circ\text{C}$	$I_F = 8\text{ A}$ , $di_F/dt = 64\text{ A}/\mu\text{s}$			150	ns
$V_{FP}$	Forward recovery voltage					5	V

Figure 1. Conduction losses versus average current

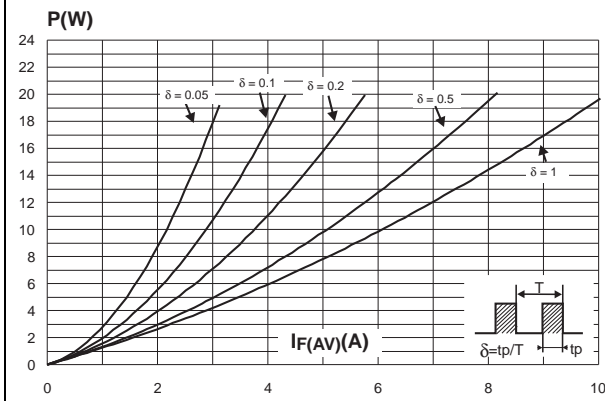
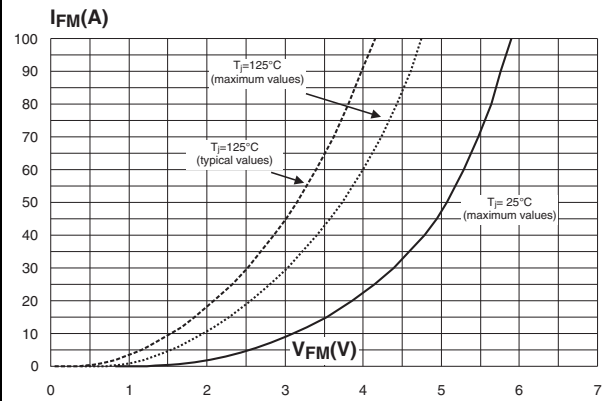
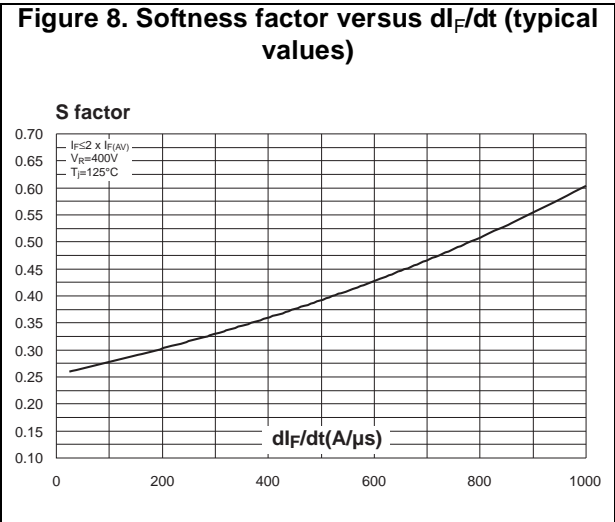
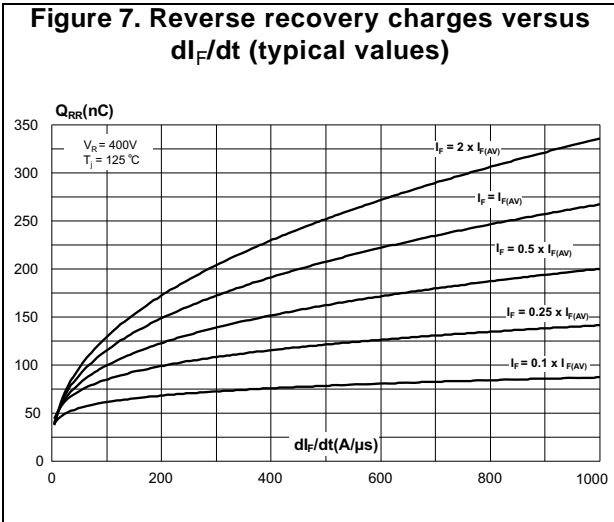
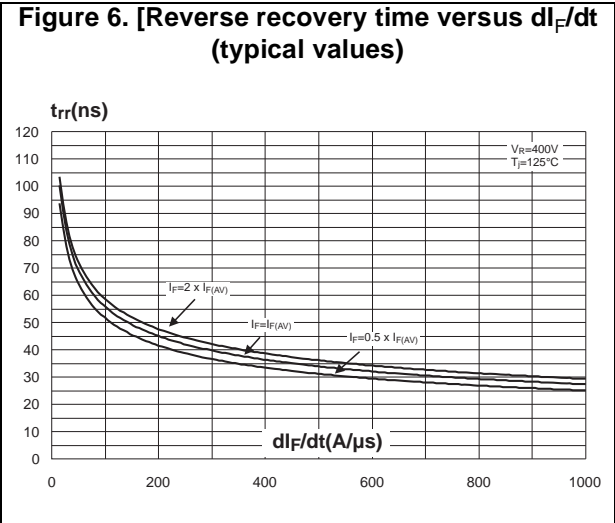
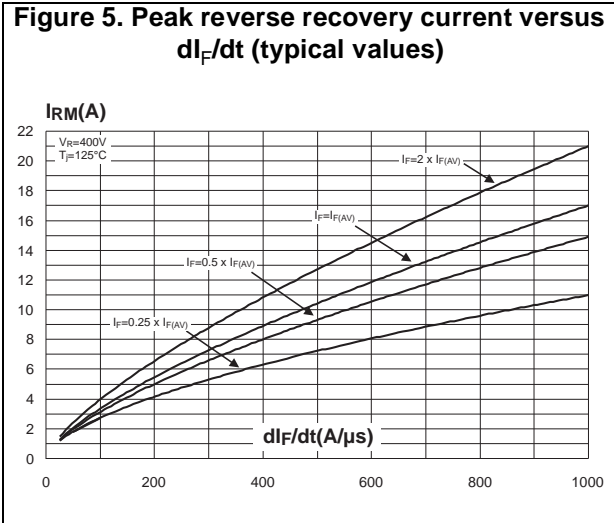
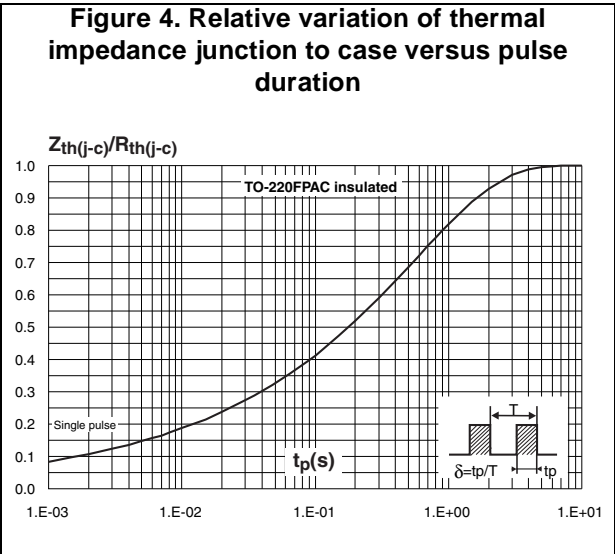
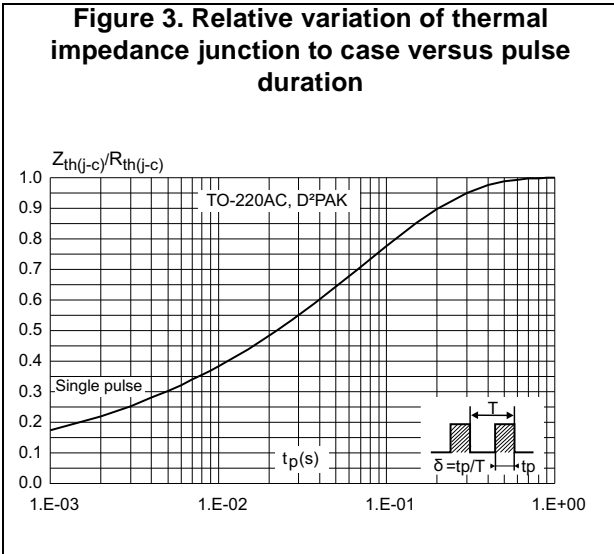
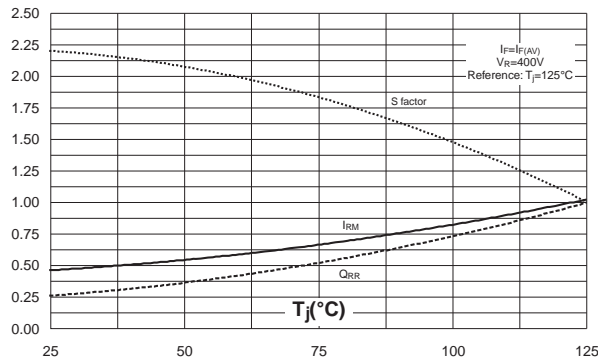


Figure 2. Forward voltage drop versus forward current

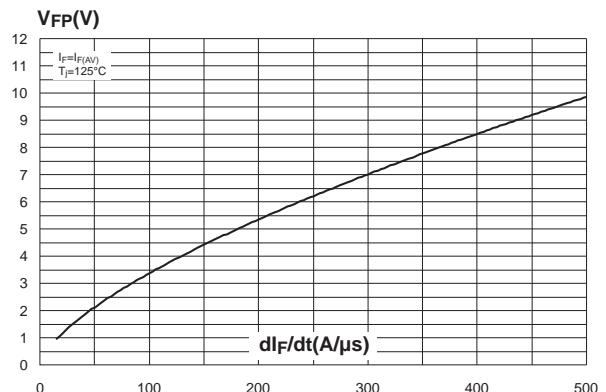




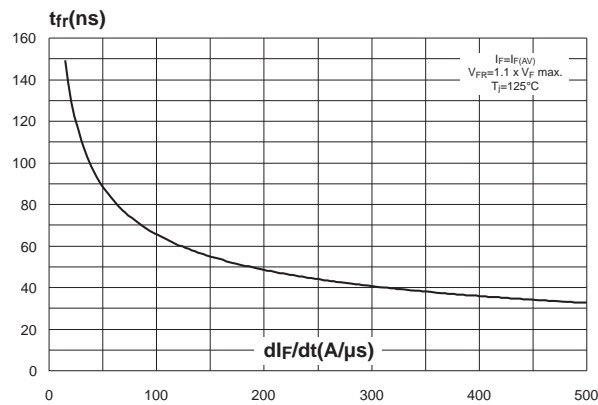
**Figure 9. Relative variations of dynamic parameters versus junction temperature**



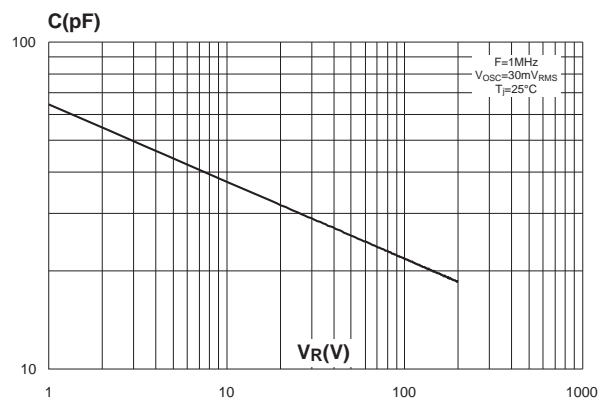
**Figure 10. Transient peak forward voltage versus  $di_F/dt$  (typical values)**



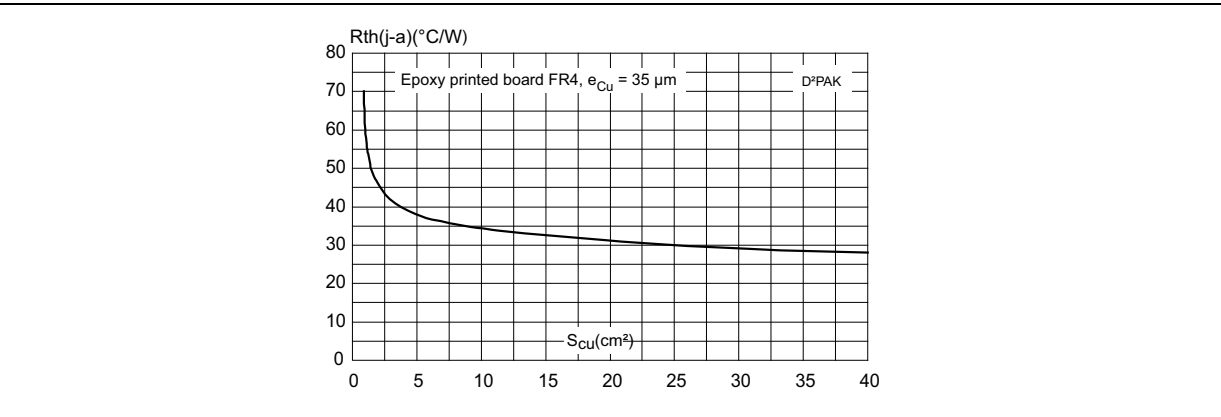
**Figure 11. Forward recovery time versus  $di_F/dt$  (typical values)**



**Figure 12. Junction capacitance versus reverse voltage applied (typical values)**



**Figure 13. Thermal resistance junction to ambient versus copper surface under tab**



## 2 Package information

- Epoxy meets UL94, V0
- Cooling method: by conduction (C)
- Recommended torque values: 0.55 N·m (TO-220FPAC, TO-220AC, TO-220AC ins.)
- Maximum torque values: 0.7 N·m (TO-220FPAC, TO-220AC, TO-220AC ins.)

In order to meet environmental requirements, ST offers these devices in different grades of ECOPACK® packages, depending on their level of environmental compliance. ECOPACK® specifications, grade definitions and product status are available at: [www.st.com](http://www.st.com). ECOPACK® is an ST trademark.

### 2.1 TO-220AC package information

Figure 14. TO-220AC package outline

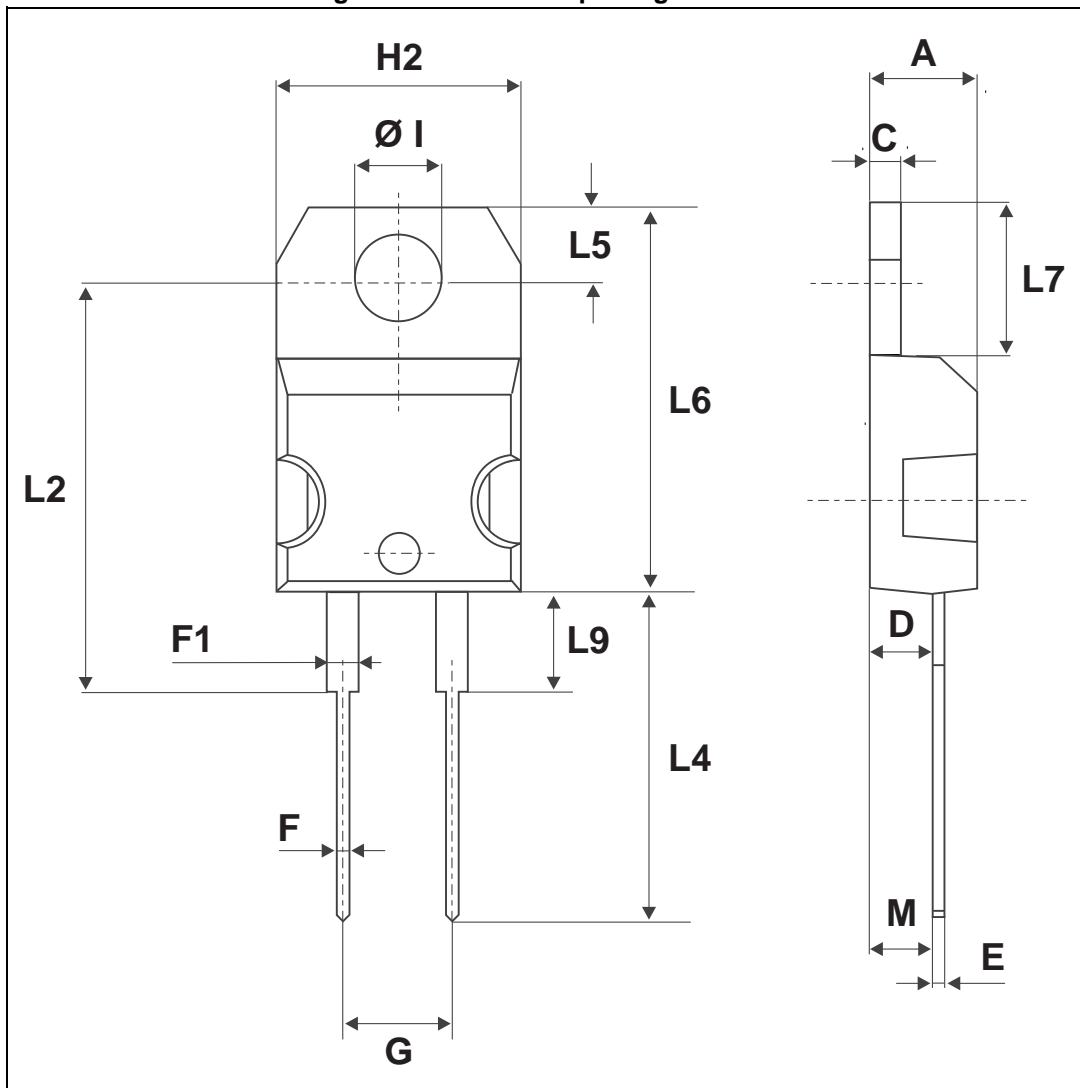


Table 6. TO-220AC dimension values

Ref.	Dimensions					
	Millimeters			Inches		
	Min.	Typ.	Max.	Min.	Typ.	Max.
A	4.40		4.60	0.173		0.181
C	1.23		1.32	0.048		0.051
D	2.40		2.72	0.094		0.107
E	0.49		0.70	0.019		0.027
F	0.61		0.88	0.024		0.034
F1	1.14		1.70	0.044		0.066
G	4.95		5.15	0.194		0.202
H2	10.00		10.40	0.393		0.409
L2		16.40 typ.			0.645 typ.	
L4	13.00		14.00	0.511		0.551
L5	2.65		2.95	0.104		0.116
L6	15.25		15.75	0.600		0.620
L7	6.20		6.60	0.244		0.259
L9	3.50		3.93	0.137		0.154
M		2.6 typ.			0.102 typ.	
Diam. I	3.75		3.85	0.147		0.151

## 2.2 TO-220FPAC package information

Figure 15. TO-220FPAC package outline

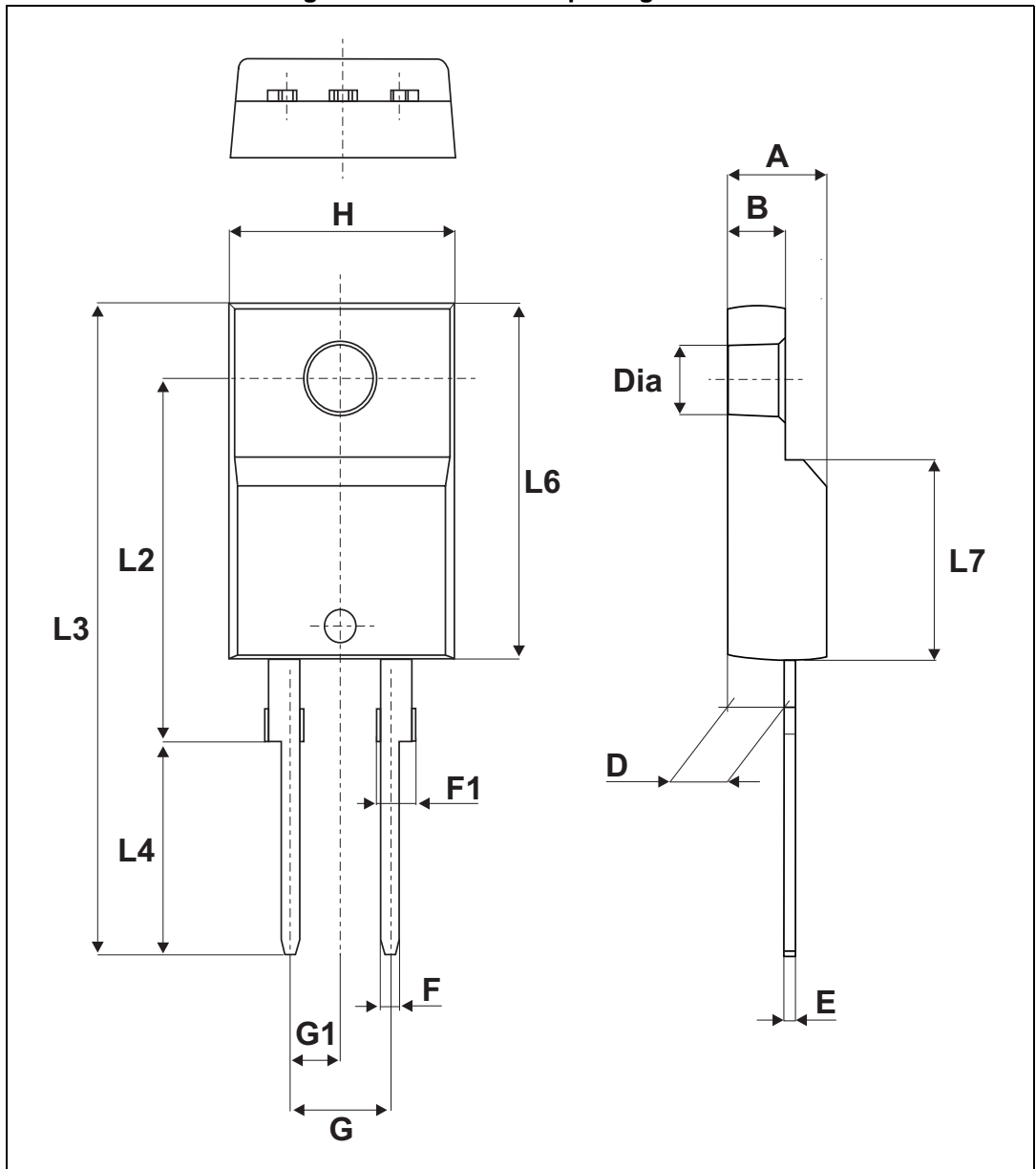




Table 7. TO-220FPAC dimension values

Ref.	Dimensions					
	Millimeters			Inches		
	Min.	Typ.	Max.	Min.	Typ.	Max.
A	4.4		4.6	0.173		0.181
B	2.5		2.7	0.098		0.106
D	2.5		2.75	0.098		0.108
E	0.45		0.70	0.018		0.027
F	0.75		1	0.030		0.039
F1	1.15		1.70	0.045		0.067
G	4.95		5.20	0.195		0.205
G1	2.4		2.7	0.094		0.106
H	10		10.4	0.393		0.409
L2		16 Typ.			0.63 Typ.	
L3	28.6		30.6	1.126		1.205
L4	9.8		10.6	0.386		0.417
L6	15.9		16.4	0.626		0.646
L7	9.00		9.30	0.354		0.366
Dia.	3.00		3.20	0.118		0.126

### 2.3 TO-220AC package information

Figure 16. TO-220AC insulated package outline

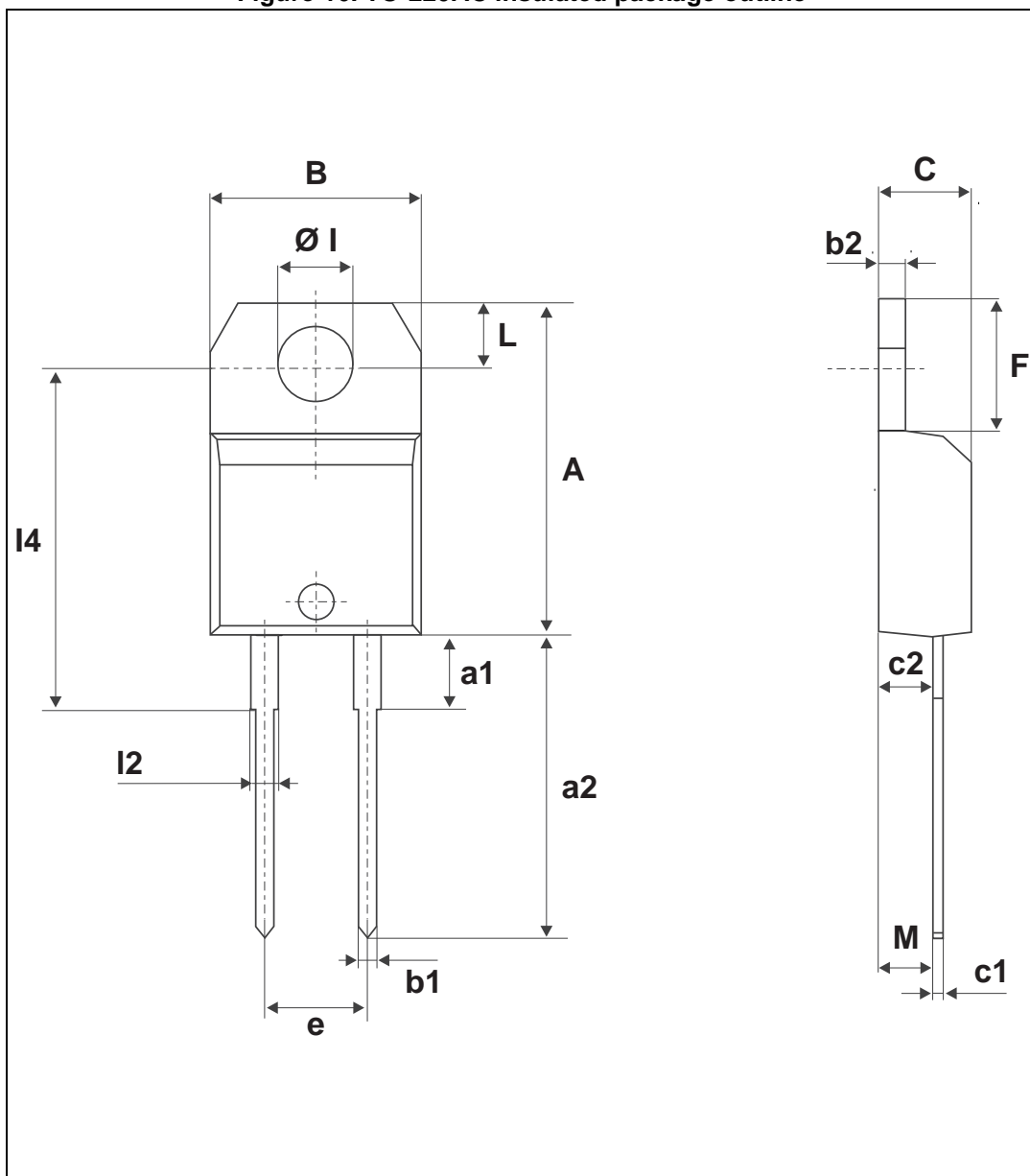


Table 8. TO-220AC insulated dimension values

Ref.	Dimensions					
	Millimeters			Inches		
	Min.	Typ.	Max.	Min.	Typ.	Max.
A	15.20		15.90	0.598		0.625
a1		3.75			0.147	
a2	13.00		14.00	0.511		0.551
B	10.00		10.40	0.393		0.409
b1	0.61		0.88	0.024		0.034
b2	1.23		1.32	0.048		0.051
C	4.40		4.60	0.173		0.181
c1	0.49		0.70	0.019		0.027
c2	2.40		2.72	0.094		0.107
e	4.80		5.40	0.189		0.212
F	6.20		6.60	0.244		0.259
ØI	3.75		3.85	0.147		0.151
l4	15.80	16.40	16.80	0.622	0.646	0.661
L	2.65		2.95	0.104		0.116
l2	1.14		1.70	0.044		0.066
M		2.60			0.102	

## 2.4 D<sup>2</sup>PAK package information

Figure 17. D<sup>2</sup>PAK package outline

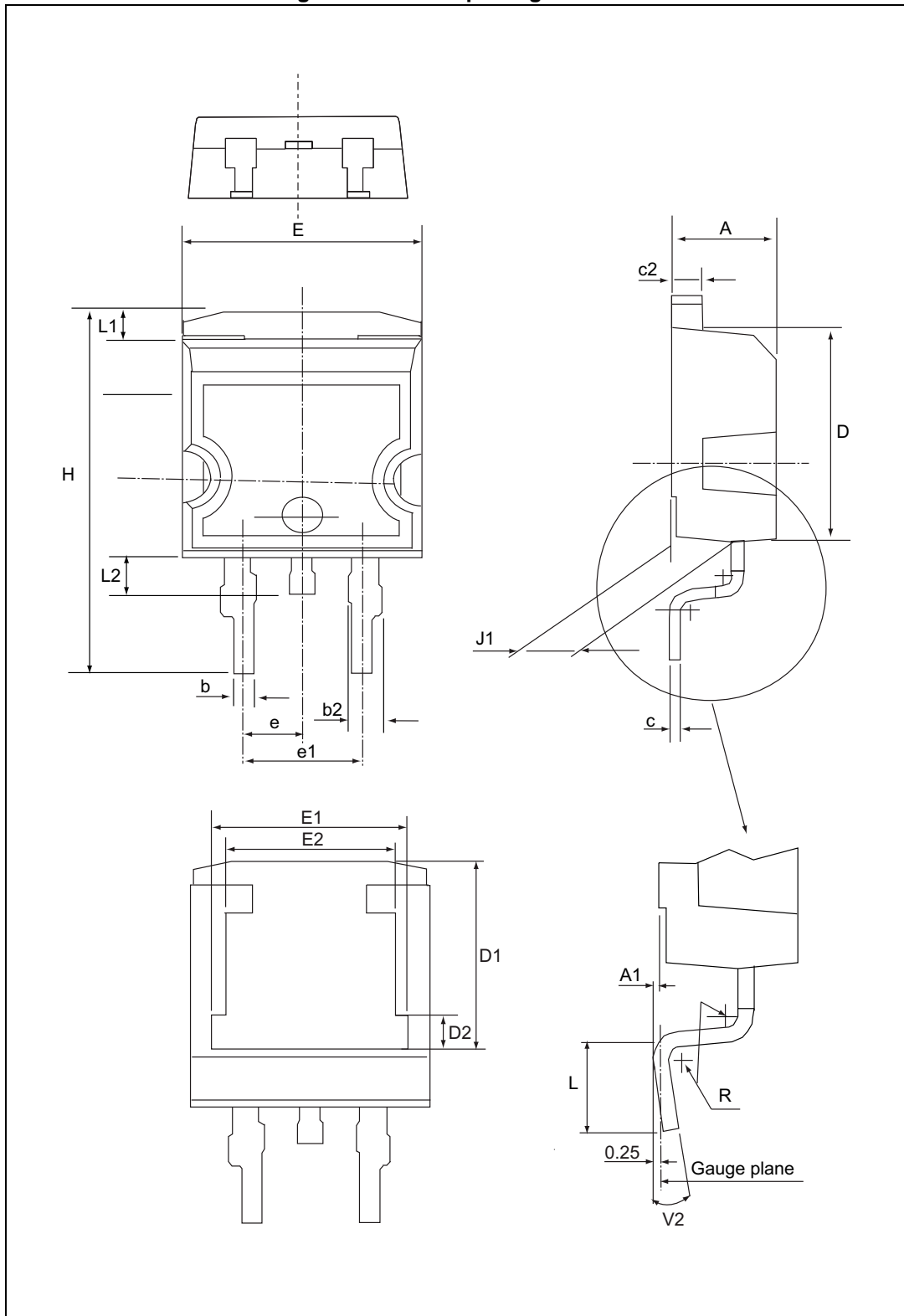
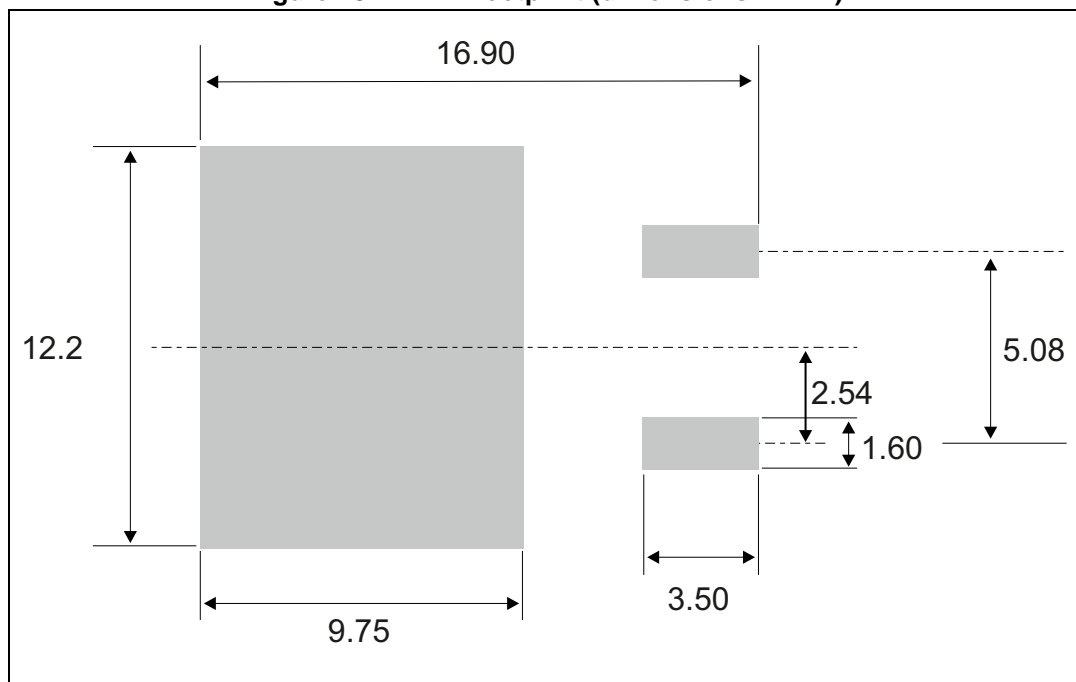


Table 9. D<sup>2</sup>PAK package mechanical data

Ref.	Dimensions					
	Millimeters			Inches		
	Min.	Typ.	Max.	Min.	Typ.	Max.
A	4.40		4.60	0.173		0.181
A1	0.03		0.23	0.001		0.009
b	0.70		0.93	0.027		0.037
b2	1.14		1.70	0.045		0.067
c	0.45		0.60	0.017		0.023
c2	1.23		1.36	0.048		0.053
D	8.95		9.35	0.352		0.368
D1	7.50	7.75	8.0	0.295	0.305	0.315
D2	1.10	1.30	1.50	0.043	0.051	0.060
E	10.00		10.40	0.393		0.409
E1	8.50	8.70	8.90	0.334	0.342	0.350
E2	6.85	7.05	7.25	0.269	0.277	0.285
e		2.54			0.1	
e1	4.88		5.28	0.192		0.208
H	15.00		15.85	0.590		0.624
J1	2.49		2.69	0.098		0.106
L	2.29		2.79	0.090		0.110
L1	1.27		1.40	0.050		0.055
L2	1.30		1.75	0.051		0.069
R		0.40 typ.		0.016 typ.		
V2	0°		8°	0°		8°

Figure 18. D<sup>2</sup>PAK footprint (dimensions in mm)



### 3 Ordering information

**Table 10. Ordering information**

Order code	Marking	Package	Weight	Base qty	Delivery mode
STTH8R06D	STTH8R06D	TO-220AC	1.90 g	50	Tube
STTH8R06G-TR	STTH8R06G	D <sup>2</sup> PAK	1.38 g	1000	Tape and reel
STTH8R06FP	STTH8R06FP	TO-220FPAC	1.90 g	50	Tube
STTH8R06DIRG	STTH8R06DI	TO-220AC Ins.	1.76 g	50	Tube

### 4 Revision history

**Table 11. Document revision history**

Date	Revision	Changes
May-2001	1	First issue
January-2002	2	D <sup>2</sup> PAK and I <sup>2</sup> PAK packages added
18-Oct-2004	3	TO-220AC Insulated package added
05-Dec-2004	4	D <sup>2</sup> PAK foot print correction
10-Aug-2006	5	Reformatted to current standard. Added package insulation voltage data on page 1. Changed order code STTH8R06DI to STTH8R06DIRG.
16-Apr-2008	6	Reformatted to current standards. Corrected label for right hand curve in <a href="#">Figure 2</a> from T <sub>j</sub> = 125 °C to T <sub>j</sub> = 25 °C. Updated torque value recommendations and added ECOPACK statement in <a href="#">Section 2: Package information</a> . Corrected order code in <a href="#">Table 10</a> .
22-Oct-2013	7	Updated <a href="#">Figure 7</a> .
30-Apr-2015	8	Removed I <sup>2</sup> PAK package information. Updated D <sup>2</sup> PAK package information and reformatted to current standard.

**IMPORTANT NOTICE – PLEASE READ CAREFULLY**

STMicroelectronics NV and its subsidiaries ("ST") reserve the right to make changes, corrections, enhancements, modifications, and improvements to ST products and/or to this document at any time without notice. Purchasers should obtain the latest relevant information on ST products before placing orders. ST products are sold pursuant to ST's terms and conditions of sale in place at the time of order acknowledgement.

Purchasers are solely responsible for the choice, selection, and use of ST products and ST assumes no liability for application assistance or the design of Purchasers' products.

No license, express or implied, to any intellectual property right is granted by ST herein.

Resale of ST products with provisions different from the information set forth herein shall void any warranty granted by ST for such product.

ST and the ST logo are trademarks of ST. All other product or service names are the property of their respective owners.

Information in this document supersedes and replaces information previously supplied in any prior versions of this document.

© 2015 STMicroelectronics – All rights reserved



# Mouser Electronics

Authorized Distributor

Click to View Pricing, Inventory, Delivery & Lifecycle Information:

[STMicroelectronics:](#)

[STTH8R06D](#) [STTH8R06FP](#) [STTH8R06DIRG](#) [STTH8R06G-TR](#)