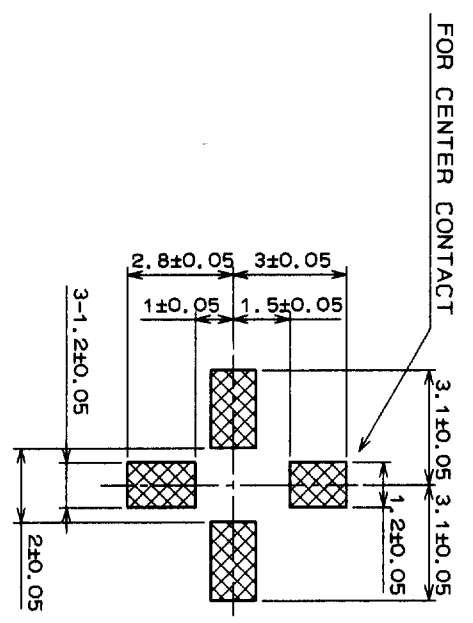
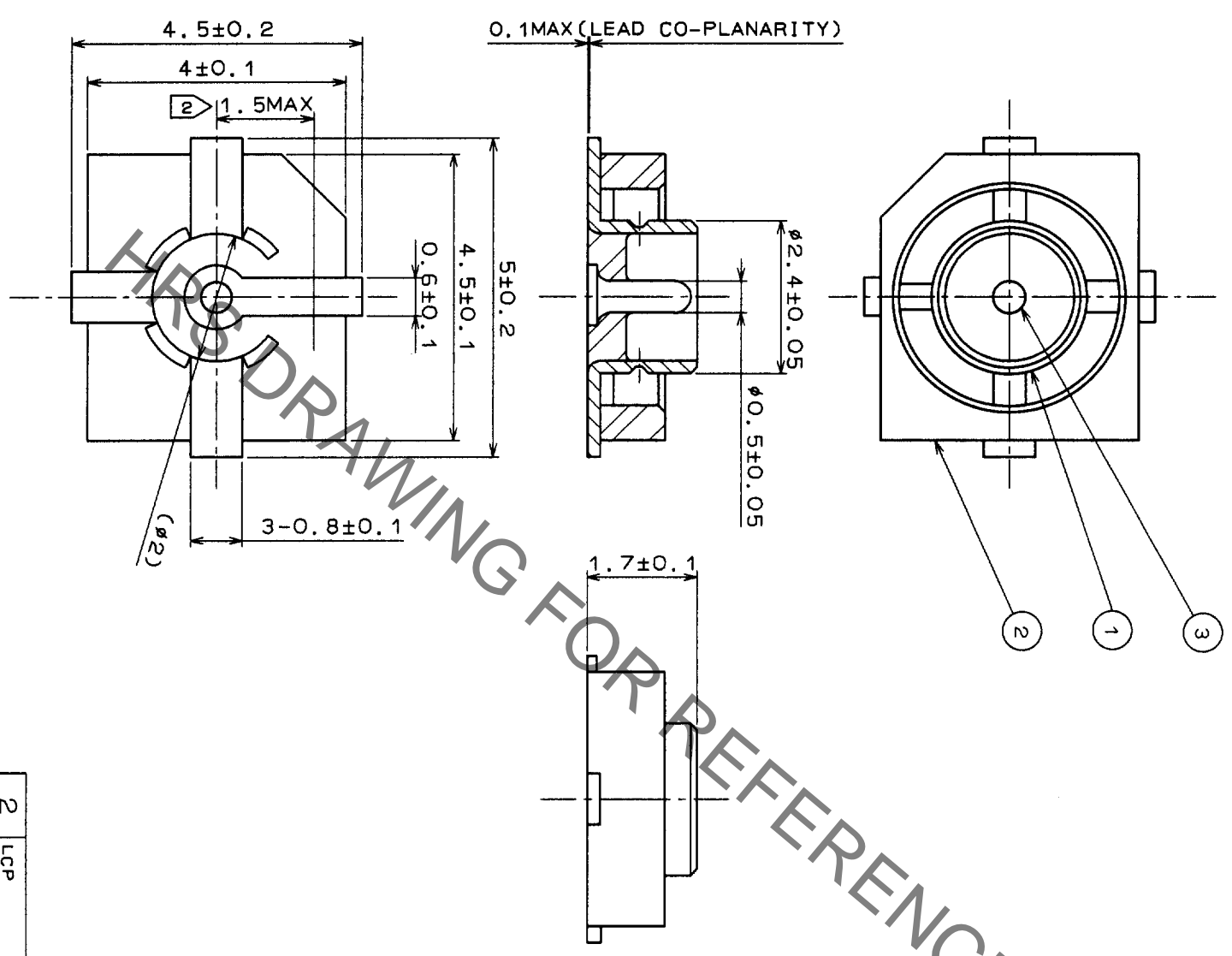


NO.	DESCRIPTION OF REVISIONS	BY	CHKD	DATE	NO.	DESCRIPTION OF REVISIONS	BY	CHKD	DATE
1									
2									
3									
4									
5									
6									
7									
8									



RECOMMENDED PC BOARD
PAD PATTERN (5:1)

FOR CENTER CONTACT

NOTES 1 THE QUANTITY OF H.FL-R-SMT(01) IS 100 CONNECTORS PER PACK.
2 THIS DIMENSION SHOWS THE ALLOWABLE RANGE THAT THE RESIN IS PUT OVER THE CENTER CONTACT.

2	LCP	(BLACK) UL94V-0	3	BRASS	GOLD PLATING 0.2μm MIN OVER NICKEL PLATED 1.27μm MIN
1	PHOSPHOR BRONZE	SILVER PLATING 2μm MIN			
NO. MATERIAL		FINISH, REMARKS		FINISH, REMARKS	
CODE NO. (OLD)		DRAWN		APPROVED	
		DESIGNED		RELEASED	
		CHECKED			
SCALE 10:1		DRAWING NO. EDC3-046538-01		PART NO. H.FL-R-SMT(01)	
UNITS mm		HRS HIROSE ELECTRIC CO., LTD.		CODE NO. CL331-0521-6-01	

TO	RF	USA
----	----	-----

Mouser Electronics

Authorized Distributor

Click to View Pricing, Inventory, Delivery & Lifecycle Information:

[Hirose Electric:](#)

[H.FL-R-SMT\(01\)](#)